

Universal Actuator

225 SERIES

The 225 Series electric actuator is a rotary output, linear torque, proportional servo that is typically used as an engine fuel control positioning device. The 225 combines fast operation, multi voltage usage, wider rotation angles, and proven reliability. Applications include fuel injected pumps, with or without mechanical governors, rotary type pumps, and medium sized gaseous fueled engines.



FEATURES

- Internal Return Spring
- 2.2 lb. ft. Torque
- 25° Rotation
- Rapid Response to Transients
- Multiple Mounting Positions
- Universal Design

SELECTION CHART

	12 Volt	24 Volt	Multi Voltage	MIL Connector	Commercial Connector	Packard Connector	Sandcast Housing	Serrated Shaft	High Temperature Applications	Lesser Return Spring	Greater Return Spring
ACB225			●	●			●				
ADB225			●	●							
ADB225G			●	●						●	
ADC225S-12	●				●			●			
ADC225S-24		●			●			●			
ADC225GS-12	●				●			●		●	
ADC225GS-24		●			●			●		●	
ADC225JS-12	●				●			●			●
ADC225JS-24		●			●			●			●
ADC225KS-12	●				●			●	●		
ADC225KS-24		●			●			●	●		
ADD225S-12	●					●		●			
ADD225S-24		●				●		●			

ACCESSORIES

Mating Connectors



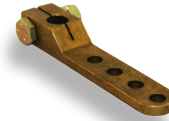
- EC1000 Mating Connector - Straight (MIL)
- EC1010 Mating Connector- 90° MIL
- EC1300 Mating Connector - Packard

Harnesses



- CH1203 12' Harness - Straight Connector (MIL)
- CH1210 12' Harness - 90° Connector (MIL)
- CH1212 30' Harness - Straight Connector
- CH1215 6' Actuator Mating Half - Packard Connector

Levers



- LE1400-1 4.3" - 3/16" Holes / Serrated Shaft
- LE1400-2 4.3" - 1/4" Holes / Serrated Shaft
- LE1400-4 3.3" - 1/4" Holes / Smooth Shaft
- LE1500-1 4.3" - 3/16" Holes / Smooth Shaft
- LE1500-2 4.3" - 1/4" Holes / Smooth Shaft

SPECIFICATIONS

Performance

Available Torque	2.2 Lb. Ft.
Maximum Operating Shaft Angular Travel	25° ± 1 Degree

Electrical

Operating Voltage	12 or 24 VDC
Normal Operating Current	3 A at 12 VDC 1.5 A at 24 VDC
Maximum Current-Continuously Rated	8 A at 12 VDC 4 A at 24 VDC

Environmental

Operating Temperature Range	-65° F to +200° F (-54° C to +95° C)
Relative Humidity	up to 95%
Vibration	20 G @ 50 - 500Hz
All Surface Finishes	Fungus Proof and Corrosion Resistant

Physical

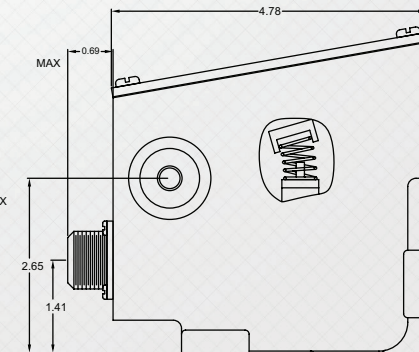
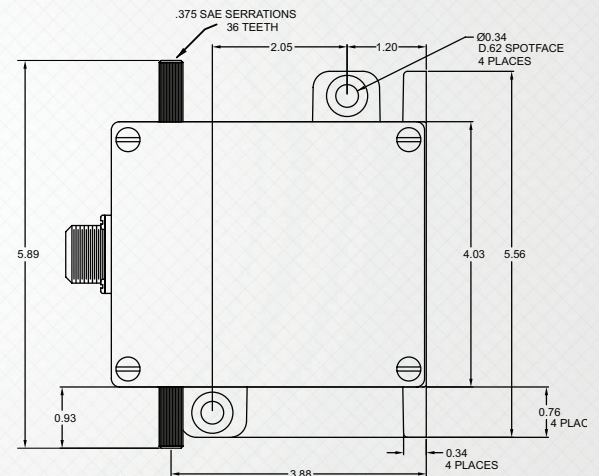
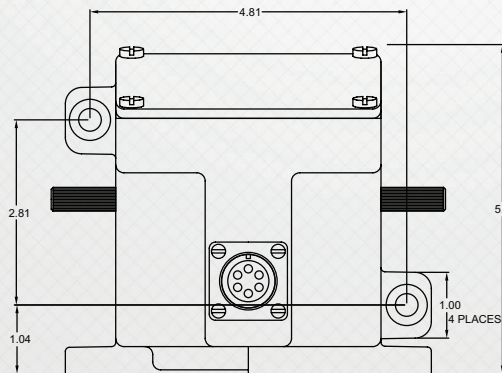
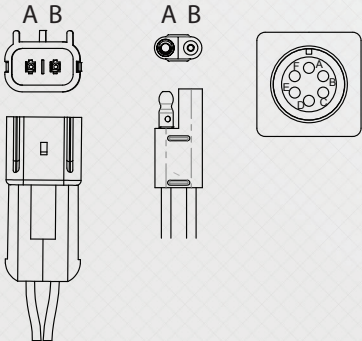
Dimensions	See Below
Weight	8.25 lb (3.75 kg)
Mounting	Any Position, Vertically Preferred

Reliability

Testing	100%
---------	------

Available Connectors:

PACKARD CONNECTOR COMMERCIAL CONNECTOR MILITARY CONNECTOR



Governors America Corp.
720 Silver Street Agawam, MA 01001
Phone: 413.233.1888 Fax: 413.789.7736
www.governors-america.com
info@governors-america.com



9.13 PTI2000 B

© 2013 Governors America Corp. All rights reserved.